

BYSTRONIC®



Duralens - Högkvalitativ Lins

- Absorberar $\leq 0,20\%$
- Konstruerad för hög hållbarhet och noggrannhet
- Tillverkad med högsta precision
- Godkänd och använd av ledande maskintillverkare



Black Magic – Lågabsorberande Lins

- Absorberar $\leq 0,15\%$
- Hårdaste ytan på marknaden för ökad livslängd
 - Bäst på att stöta bort stänk
 - Enklare att rengöra och underhålla
 - Motståndskraftig mot fukt
- Rekommenderad och godkänd av ledande maskintillverkare
- Den är EJ radioaktiv
- Utmärker sig vid skärning i bl.a. aluminium och rostfritt stål



Clear Magic – Ultra Lågabsorberande Lins

- Absorberar $\leq 0,13\%$ under hela livslängden
 - Maximal stabilitet i fokusläget
- Transparent ytskikt släpper igenom HeNe-strålar så de blir synliga på arbetsstycket
- Polariserande filter hjälper till att upptäcka termiskt inducerad stress
- Rekommenderad och godkänd av ledande maskintillverkare
- Hårdaste ytan på marknaden för ökad livslängd
 - Bäst på att stöta bort stänk
 - Enklare att rengöra och underhålla
 - Motståndskraftig mot fukt
- Den är EJ radioaktiv
- Utmärker sig vid skärning i bl.a. aluminium och rostfritt stål

LINSER



POS	ART. NR.	TYP	BESKRIVNING	PRIS / ST
GUL LINS				
1	60603	4-00185 MENISCUS	DIA = 1,5" FOKUS = 3,75" TJOCKLEK = 6 mm	
	60260	4-00186 MENISCUS	DIA = 1,5" FOKUS = 5" TJOCKLEK = 6 mm	
	60602	4-00187 MENISCUS	DIA = 1,5" FOKUS = 7,5" TJOCKLEK = 6 mm	
	631079-117	4-05094 MENISCUS	DIA = 1,5" FOKUS = 5" TJOCKLEK = 9 mm	
	60616	4-05095 MENISCUS	DIA = 1,5" FOKUS = 7,5" TJOCKLEK = 9 mm	
LÅGABSORBERANDE SVART LINS				
2	60603LA	4-00185 MENISCUS	DIA = 1,5" FOKUS = 3,75" TJOCKLEK = 6 mm	
	60260LA	4-00186 MENISCUS	DIA = 1,5" FOKUS = 5" TJOCKLEK = 6 mm	
	60602LA	4-00187 MENISCUS	DIA = 1,5" FOKUS = 7,5" TJOCKLEK = 6 mm	
	631079-117LA	4-07475 MENISCUS	DIA = 1,5" FOKUS = 5" TJOCKLEK = 9 mm	
	60616LA	4-07476 MENISCUS	DIA = 1,5" FOKUS = 7,5" TJOCKLEK = 9 mm	
ULTRA LÅGABSORBERANDE LINS				
3	60260ULA	4-00186 MENISCUS	DIA = 1,5" FOKUS = 5" TJOCKLEK = 6 mm	
	60602ULA	4-00187 MENISCUS	DIA = 1,5" FOKUS = 7,5" TJOCKLEK = 6 mm	
	631079-117ULA	4-07475 MENISCUS	DIA = 1,5" FOKUS = 5" TJOCKLEK = 9 mm	
	60616ULA	4-07476 MENISCUS	DIA = 1,5" FOKUS = 7,5" TJOCKLEK = 9 mm	
	632464-117ULA	10048294	DIA = 1,5" FOKUS = 9" TJOCKLEK = 9 mm	

RING FÖR MER INFO OCH PRISER OM VÅRA LINSER OCH SPEGLAR.

FIBERLASER



POS	ART. NR.	ORIGINAL KOD	BESKRIVNING	PRIS / ST
LINS				
SKYDDSGLAS				
	632851-117		DIA = 36mm TJOCKLEK = 5mm	

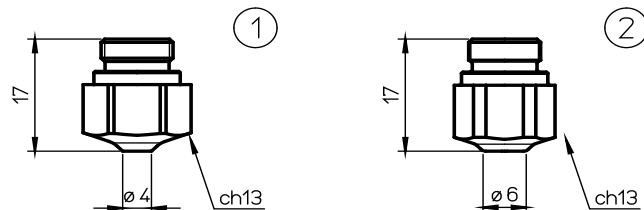
RING FÖR MER INFO OCH PRISER OM VÅRA LINSER OCH SKYDDSGLAS.

SPEGLAR

	ART. NR.	ORIGINAL KOD	BESKRIVNING	PRIS / ST
	61388	4-00203-4	DIA = 50mm TJ = 10mm Mirror Cu Total Reflector	
	61389	4-00200-2	DIA = 60mm TJ = 10mm Mirror Cu Total Reflector	
	61053	4-00203-3	DIA = 50mm TJ = 10mm Mirror Cu 0-phase	
	61121	4-00200-1	DIA = 60mm TJ = 10mm Mirror Cu 0-phase	
	61273	4-00203-M308	DIA = 50mm TJ = 10mm Mirror Cu 0-phase	
	61793	4-00206-2	DIA = 38mm TJ = 6mm Mirror Cu 0-phase	
	61222	4-00226	DIA = 50mm TJ = 10mm Mirror Cu 90°-phase	
	61384	E-00241	DIA = 60mm TJ = 10mm Mirror Cu 90°-phase	
	61812	4-00214	DIA = 50mm TJ = 10mm telescope Mirror Cu	
	61813	4-05172	DIA = 50mm TJ = 10mm telescope Mirror Cu	
	61814	4-05173	DIA = 50mm TJ = 10mm telescope Mirror Cu	
	61815	4-00213	DIA = 50mm TJ = 10mm telescope Mirror Cu	
	61816	4-00217	DIA = 50mm TJ = 10mm telescope Mirror Cu	
	61817	4-00218	DIA = 50mm TJ = 10mm telescope Mirror Cu	
	61381	4-09047, 4-08318	DIA = 1,1" TJ = 6mm Output Coupler 50%	
	61435		DIA = 1" TJ = 6mm Output Coupler 65%	
	61835	4-00194-2	DIA = 1" TJ = 6mm Output Coupler 65%	
	61382	4-00190-2	DIA = 1" TJ = 6mm Rear Mirror Ge	
	61383	4-0090044, 4-08317	DIA = 1,1" TJ = 6mm Rear Mirror Ge	
	61436		DIA = 1" TJ = 6mm Rear Mirror Ge	

RING FÖR MER INFO OCH PRISER OM VÅRA LINSER OCH SPEGLAR.

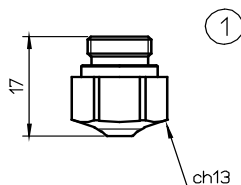
BYSTRONIC®



	ART. NR.	ORIGINAL KOD	BESKRIVNING	PRIS / ST
1	L674	3-04277 HK08	BYSTRONIC® NOZZLE Ø 0.8 HD	
	L72	3-01910 HK10	BYSTRONIC® NOZZLE Ø 1.0 HD	
	L121	3-01911 HK12	BYSTRONIC® NOZZLE Ø 1.25 HD	
	L73	3-01912 HK15	BYSTRONIC® NOZZLE Ø 1.5 HD	
	L122	3-01913 HK17	BYSTRONIC® NOZZLE Ø 1.75 HD	
	L72X	3-01910 HK10	BYSTRONIC® NOZZLE Ø 1.0 HD CP	
	L121X	3-01911 HK12	BYSTRONIC® NOZZLE Ø 1.25 HD CP	
	L73X	3-01912 HK15	BYSTRONIC® NOZZLE Ø 1.5 HD CP	
	L122X	3-01913 HK17	BYSTRONIC® NOZZLE Ø 1.75 HD CP	
	2	L123	3-01914 HK20	BYSTRONIC® NOZZLE Ø 2.0 HD
L140		3-03854 HK25	BYSTRONIC® NOZZLE Ø 2.5 HD	
L265		3-06112 HK30	BYSTRONIC® NOZZLE Ø 3.0 HD	
L700		HK35	BYSTRONIC® NOZZLE Ø 3.5 HD	
L701		HK40	BYSTRONIC® NOZZLE Ø 4.0 HD	
L123X		3-01914 HK20	BYSTRONIC® NOZZLE Ø 2.0 HD CP	
L140X		3-03854 HK25	BYSTRONIC® NOZZLE Ø 2.5 HD CP	
L265X		3-06112 HK30	BYSTRONIC® NOZZLE Ø 3.0 HD CP	
L700X		HK35	BYSTRONIC® NOZZLE Ø 3.5 HD CP	
L701X		HK40	BYSTRONIC® NOZZLE Ø 4.0 HD CP	

X = Kromaterat

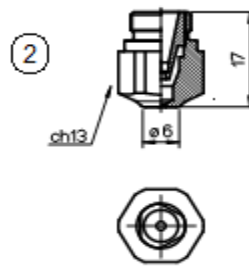
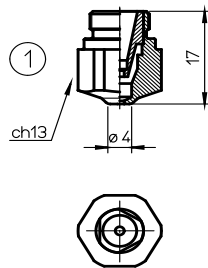
BYSTRONIC®



	ART. NR.	ORIGINAL KOD	BESKRIVNING	PRIS / ST
1	L83	3-04273 K08	BYSTRONIC® NOZZLE Ø 0.8	
	L116	3-01905 K10	BYSTRONIC® NOZZLE Ø 1.0	
	L117	3-01906 K12	BYSTRONIC® NOZZLE Ø 1.25	
	L118	3-01907 K15	BYSTRONIC® NOZZLE Ø 1.5	
	L119	3-01908 K17	BYSTRONIC® NOZZLE Ø 1.75	
	L120	3-01909 K20	BYSTRONIC® NOZZLE Ø 2.0	
	L675	3-04274 K25	BYSTRONIC® NOZZLE Ø 2.5	
	L678	3-04275 K30	BYSTRONIC® NOZZLE Ø 3.0	
	L83X	3-04273 K08	BYSTRONIC® NOZZLE Ø 0.8 CP	
	L116X	3-01905 K10	BYSTRONIC® NOZZLE Ø 1.0 CP	
	L117X	3-01906 K12	BYSTRONIC® NOZZLE Ø 1.25 CP	
	L118X	3-01907 K15	BYSTRONIC® NOZZLE Ø 1.5 CP	
	L119X	3-01908 K17	BYSTRONIC® NOZZLE Ø 1.75 CP	
	L120X	3-01909 K20	BYSTRONIC® NOZZLE Ø 2.0 CP	
	L675X	3-04274 K25	BYSTRONIC® NOZZLE Ø 2.5 CP	
	L678X	3-04275 K30	BYSTRONIC® NOZZLE Ø 3.0 CP	

X = Kromaterat

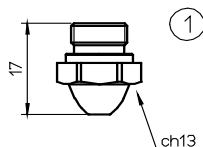
BYSTRONIC®



	ART. NR.	ORIGINAL KOD	BESKRIVNING	PRIS / ST
1	L600	3-16058 NK10 - 15	BYSTRONIC® DOUBLE NOZZLE Ø 1.0	
	L601	3-16059 NK12- 15	BYSTRONIC® DOUBLE NOZZLE Ø 1.25	
	L602	3-16060 NK15- 15	BYSTRONIC® DOUBLE NOZZLE Ø 1.5	
	L603	3-14317 NK17 - 15	BYSTRONIC® DOUBLE NOZZLE Ø 1.75	
	L600X	3-16058 NK10- 15	BYSTRONIC® DOUBLE NOZZLE Ø 1.0 CP	
	L601X	3-16059 NK12- 15	BYSTRONIC® DOUBLE NOZZLE Ø 1.25 CP	
	L602X	3-16060 NK15 - 15	BYSTRONIC® DOUBLE NOZZLE Ø 1.5 CP	
	L603X	3-14317 NK17 - 15	BYSTRONIC® DOUBLE NOZZLE Ø 1.75 CP	
2	L1363	3-16058 NK10 - 15	BYSTRONIC® DOUBLE NOZZLE Ø 1.0	
	L1364	3-16059 NK12- 15	BYSTRONIC® DOUBLE NOZZLE Ø 1.25	
	L1365	3-16060 NK15- 15	BYSTRONIC® DOUBLE NOZZLE Ø 1.5	
	L1366	3-14317 NK17 - 15	BYSTRONIC® DOUBLE NOZZLE Ø 1.75	
	L604	3-14318 NK20 - 15	BYSTRONIC® DOUBLE NOZZLE Ø 2.0	
	L605	3-14319 NK25 - 15	BYSTRONIC® DOUBLE NOZZLE Ø 2.5	
	L612	3-16256 NK25 - 20	BYSTRONIC® DOUBLE NOZZLE Ø 2.5	
	L613	3-16061 NK30 - 17	BYSTRONIC® DOUBLE NOZZLE Ø 3.0	
	L606	3-16257 NK30 - 20	BYSTRONIC® DOUBLE NOZZLE Ø 3.0	
	L607	NK35-30	BYSTRONIC® DOUBLE NOZZLE Ø 3.5	
	L1363X	3-16058 NK10 - 15	BYSTRONIC® DOUBLE NOZZLE Ø 1.0 CP	
	L1364X	3-16059 NK12- 15	BYSTRONIC® DOUBLE NOZZLE Ø 1.25 CP	
	L1365X	3-16060 NK15- 15	BYSTRONIC® DOUBLE NOZZLE Ø 1.5 CP	
	L1366X	3-14317 NK17 - 15	BYSTRONIC® DOUBLE NOZZLE Ø 1.75 CP	
	L604X	3-14318 NK20 - 15	BYSTRONIC® DOUBLE NOZZLE Ø 2.0 CP	
	L605X	3-14319 NK25 - 15	BYSTRONIC® DOUBLE NOZZLE Ø 2.5 CP	
	L612X	3-16256 NK25 - 20	BYSTRONIC® DOUBLE NOZZLE Ø 2.5 CP	
	L613X	3-16061 NK30 - 17	BYSTRONIC® DOUBLE NOZZLE Ø 3.0 CP	
L606X	3-16257 NK30 - 20	BYSTRONIC® DOUBLE NOZZLE Ø 3.0 CP		
L607X	NK35-30	BYSTRONIC® DOUBLE NOZZLE Ø 3.5 CP		

X = Kromaterat

BYSTRONIC®

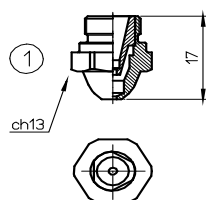


BYSPPEED

	ART. NR.	ORIGINAL KOD	BESKRIVNING	PRIS / ST
1	L82	3-04271 08	BYSTRONIC® NOZZLE Ø 0.8	
	L98	3-01894 10	BYSTRONIC® NOZZLE Ø 1.0	
	L99	3-01895 12	BYSTRONIC® NOZZLE Ø 1.25	
	L100	3-01896 15	BYSTRONIC® NOZZLE Ø 1.5	
	L101	3-01897 17	BYSTRONIC® NOZZLE Ø 1.75	
	L102	3-01898 20	BYSTRONIC® NOZZLE Ø 2.0	
	L676	3-04272 25	BYSTRONIC® NOZZLE Ø 2.5	
	L673	3-04275 H08	BYSTRONIC® NOZZLE Ø 0.8 HD	
	L88	3-01899 H10	BYSTRONIC® NOZZLE Ø 1.0 HD	
	L103	3-01900 H12	BYSTRONIC® NOZZLE Ø 1.25 HD	
	L104	3-01901 H15	BYSTRONIC® NOZZLE Ø 1.5 HD	
	L105	3-01902 H17	BYSTRONIC® NOZZLE Ø 1.75 HD	
	L106	3-01903 H20	BYSTRONIC® NOZZLE Ø 2.0 HD	
	L677	3-04276 H25	BYSTRONIC® NOZZLE Ø 2.5 HD	
	L679	H30	BYSTRONIC® NOZZLE Ø 3.0 HD	
	L88X	3-01899 H10	BYSTRONIC® NOZZLE Ø 1.0 HD CP	
	L103X	3-01900 H12	BYSTRONIC® NOZZLE Ø 1.25 HD CP	
	L104X	3-01901 H15	BYSTRONIC® NOZZLE Ø 1.5 HD CP	
	L105X	3-01902 H17	BYSTRONIC® NOZZLE Ø 1.75 HD CP	
	L106X	3-01903 H20	BYSTRONIC® NOZZLE Ø 2.0 HD CP	
	L677X	3-04276 H25	BYSTRONIC® NOZZLE Ø 2.5 HD CP	
	L679X	H30	BYSTRONIC® NOZZLE Ø 3.0 HD CP	

X = Kromaterat

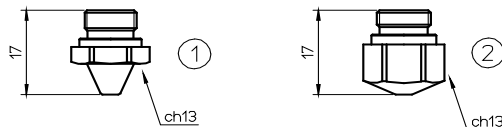
BYSTRONIC®



ART. NR.	ORIGINAL KOD	BESKRIVNING	PRIS / ST
L1250	N10-15	BYSTRONIC® DOUBLE NOZZLE Ø 1.0	
L1251	N12-15	BYSTRONIC® DOUBLE NOZZLE Ø 1.25	
L1252	N15-15	BYSTRONIC® DOUBLE NOZZLE Ø 1.5	
L1253	N17-15	BYSTRONIC® DOUBLE NOZZLE Ø 1.75	
L1254	N20-15	BYSTRONIC® DOUBLE NOZZLE Ø 2.0	
L1255	N25-15	BYSTRONIC® DOUBLE NOZZLE Ø 2.5	
L1256	N25-20	BYSTRONIC® DOUBLE NOZZLE Ø 2.5	
L1257	N30-17	BYSTRONIC® DOUBLE NOZZLE Ø 3.0	
L1258	N30-20	BYSTRONIC® DOUBLE NOZZLE Ø 3.0	
L1250X	N10-15	BYSTRONIC® DOUBLE NOZZLE Ø 1.0 CP	
L1251X	N12-15	BYSTRONIC® DOUBLE NOZZLE Ø 1.25 CP	
L1252X	N15-15	BYSTRONIC® DOUBLE NOZZLE Ø 1.5 CP	
L1253X	N17-15	BYSTRONIC® DOUBLE NOZZLE Ø 1.75 CP	
L1254X	N20-15	BYSTRONIC® DOUBLE NOZZLE Ø 2.0 CP	
L1255X	N25-15	BYSTRONIC® DOUBLE NOZZLE Ø 2.5 CP	
L1256X	N25-20	BYSTRONIC® DOUBLE NOZZLE Ø 2.5 CP	
L1257X	N30-17	BYSTRONIC® DOUBLE NOZZLE Ø 3.0 CP	
L1258X	N30-20	BYSTRONIC® DOUBLE NOZZLE Ø 3.0 CP	

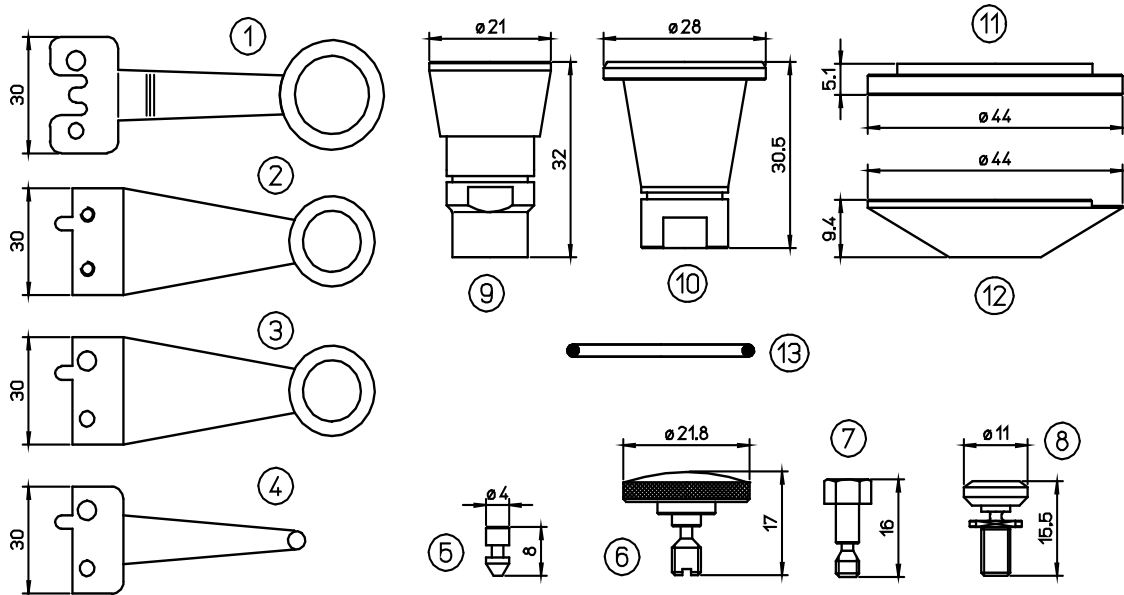
X = Kromaterat

BYSTRONIC®



	ART. NR.	ORIGINAL KOD	BESKRIVNING	PRIS / ST
1	L22	3-04271 08	BYSTRONIC® NOZZLE Ø 0.8	
	L14	3-01894 10	BYSTRONIC® NOZZLE Ø 1.0	
	L41	3-01895 12	BYSTRONIC® NOZZLE Ø 1.25	
	L17	3-01896 15	BYSTRONIC® NOZZLE Ø 1.5	
	L42	3-01897 17	BYSTRONIC® NOZZLE Ø 1.75	
	L33	3-01898 20	BYSTRONIC® NOZZLE Ø 2.0	
	L43	3-01899 H10	BYSTRONIC® NOZZLE Ø 1.0 HD	
	L16	3-01900 H12	BYSTRONIC® NOZZLE Ø 1.25 HD	
	L44	3-01901 H15	BYSTRONIC® NOZZLE Ø 1.5 HD	
	L45	3-01902 H17	BYSTRONIC® NOZZLE Ø 1.75 HD	
	L46	3-01903 H20	BYSTRONIC® NOZZLE Ø 2.0 HD	
2	L71	3-04273 K08	BYSTRONIC® NOZZLE Ø 0.8	
	L107	3-01905 K10	BYSTRONIC® NOZZLE Ø 1.0	
	L108	3-01906 K12	BYSTRONIC® NOZZLE Ø 1.25	
	L109	3-01907 K15	BYSTRONIC® NOZZLE Ø 1.5	
	L110	3-01908 K17	BYSTRONIC® NOZZLE Ø 1.75	
	L111	3-01909 K20	BYSTRONIC® NOZZLE Ø 2.0	
	L89	3-01910 HK10	BYSTRONIC® NOZZLE Ø 1.0 HD	
	L112	3-01911 HK12	BYSTRONIC® NOZZLE Ø 1.25 HD	
	L113	3-01912 HK15	BYSTRONIC® NOZZLE Ø 1.5 HD	
	L114	3-01913 HK17	BYSTRONIC® NOZZLE Ø 1.75 HD	
	L115	3-01914 HK20	BYSTRONIC® NOZZLE Ø 2.0 HD	

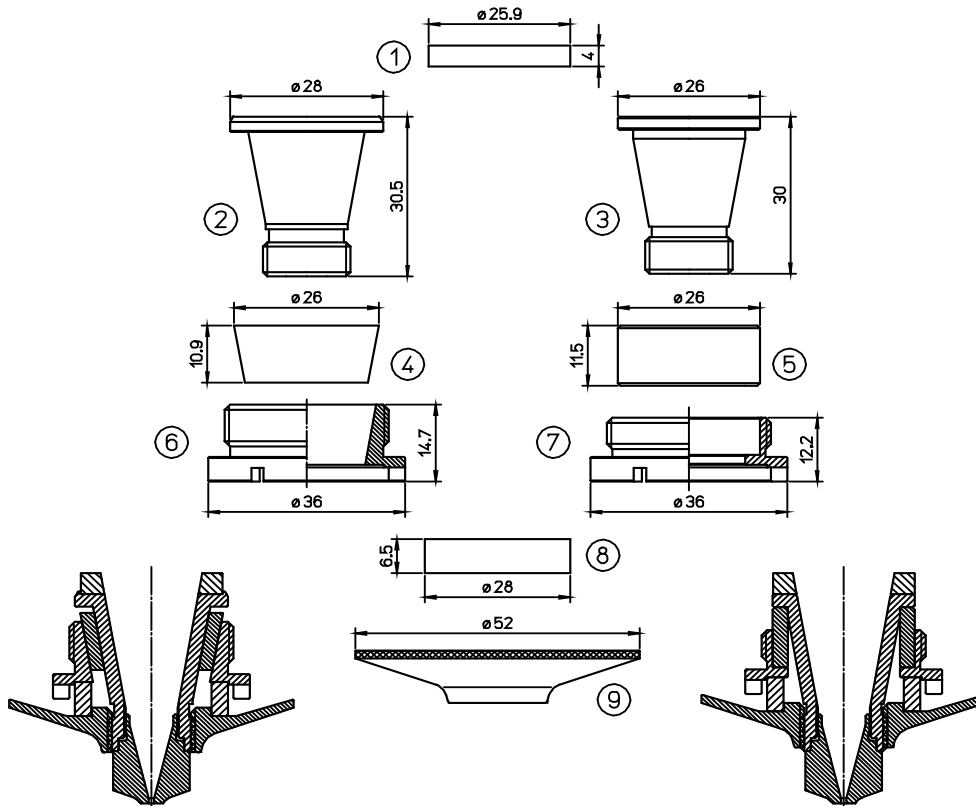
BYSTRONIC®



	ART. NR.	ORIGINAL KOD	BESKRIVNING	PRIS / ST
1	AL26	3-05530	BYSTRONIC® SCANNER	
2	AL5	2-01262	BYSTRONIC® SCANNER	
3	AL252	2-02015	BYSTRONIC® SCANNER	
4	AL251	2-02016	BYSTRONIC® BALL SCANNER	
5	AL24	4-03137	BYSTRONIC® PIN	
6	AL25	4-03136	BYSTRONIC® KNURLED SCREW - BRASS	
7	AL1	4-00324	BYSTRONIC® KNURLED SCREW	
8	AL208	3-09001	BYSTRONIC® SCREW FOR CROSS-JET	
9	AL188	3-02291	BYSTRONIC® NOZZLE BODY	
10	AL102	3-05497	BYSTRONIC® COPPER NOZZLE BODY	
11	AL206	3-03663-T	BYSTRONIC® TEFLON DISC	
12	AL205	3-03663-C	BYSTRONIC® SIGNBOARD	
13	AL225	3141300	BYSTRONIC® O-RING	
	AL226	3141122	BYSTRONIC® O-RING	
	3140236	3140236	BYSTRONIC® O-RING	
	AL99	3140820	BYSTRONIC® O-RING FOR LENS	
	AL246		BYSTRONIC® SCREW KIT (3 pcs) FOR AL205	

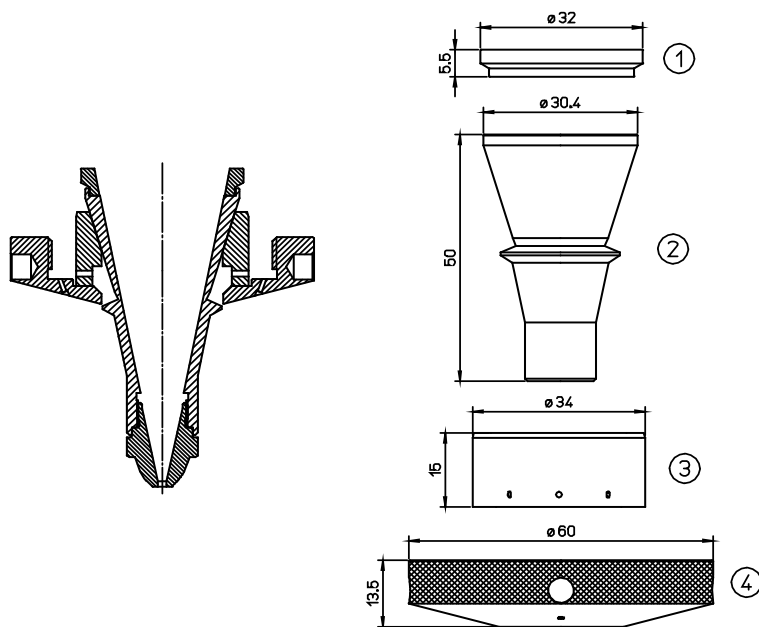
X = Kromaterat

BYSTRONIC®



	ART. NR.	ORIGINAL KOD	BESKRIVNING	PRIS / ST
1	AL125	4-01642	BYSTRONIC® CERAMIC INSULATING DISC	
	AL231	4-01642	BYSTRONIC® CERAMIC INSULATING DISC NEW VERSION	
2	AL172	2-08701	BYSTRONIC® NOZZLE BODY	
3	AL423	10032930	BYSTRONIC® NOZZLE BODY	
4	AL124	4-01959	BYSTRONIC® CERAMIC CONE	
	AL230	4-01959	BYSTRONIC® CERAMIC CONE - NEW VERSION	
5	AL425	10032838	BYSTRONIC® CERAMIC INSULATING RING	
6	AL174	3-11071	BYSTRONIC® FASTENING NUT	
7	AL424	10032839	BYSTRONIC® FASTENING NUT	
8	AL126	4-09010	BYSTRONIC® CERAMIC INSULATING RING	
9	AL173	2-08700	BYSTRONIC® SIGNBOARD	
	AL173X	2-08700	BYSTRONIC® SIGNBOARD CP	

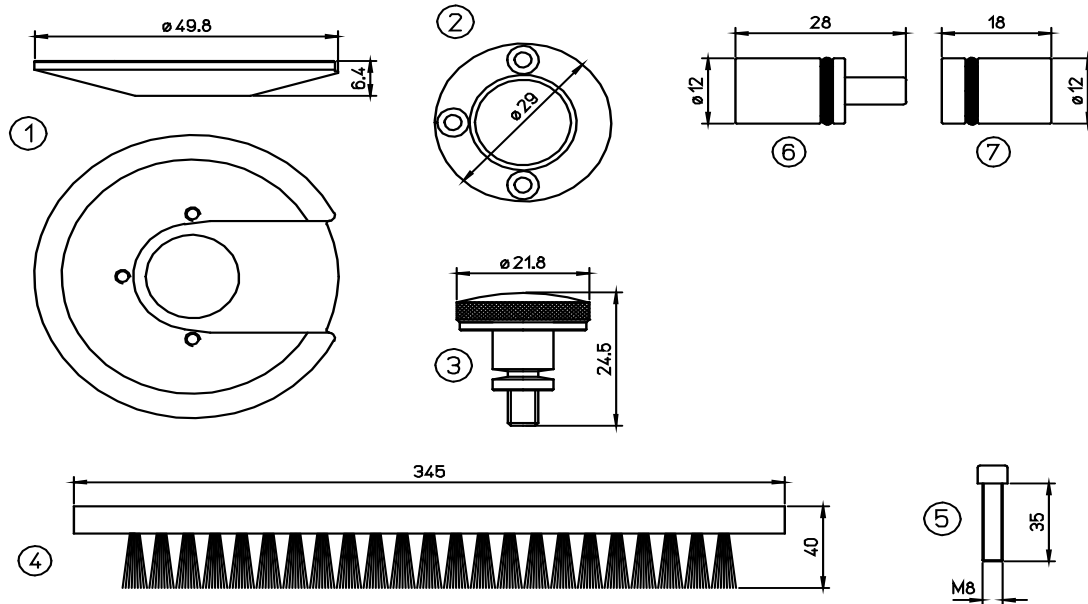
BYSTRONIC®



BYSPPEED

	ART. NR.	ORIGINAL KOD	BESKRIVNING	PRIS / ST
1	AL215	3-13113	BYSTRONIC® INSULATING RING	
2	AL214	2-10837	BYSTRONIC® NOZZLE BODY	
3	AL216	3-13422	BYSTRONIC® INSULATING RING WITH HOLES	
4	AL258	3-13110	BYSTRONIC® SHIELD COPPER	

BYSTRONIC®



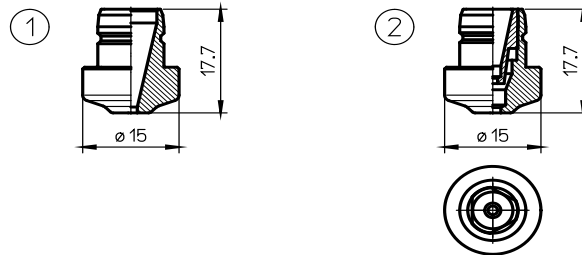
	ART. NR.	ORIGINAL KOD	BESKRIVNING	PRIS / ST
1	AL222	3-06035	BYSTRONIC® SIGNBOARD COPPER ONLY	
	AL245	0	BYSTRONIC® SCREW KIT (3 PCS) FOR AL222	
2	AL120	3-06035-T	BYSTRONIC® DISC PTFE	
	AL120/P	3-06035-P	BYSTRONIC® DISC LONG LIFE	
3	AL209	4-04976	BYSTRONIC® KNURLED SCREW	
4	AL300	2-06511	BYSTRONIC® BRUSH 345x30x20 WITH SCREWS	
5	333884	333884	BYSTRONIC®/MAZAK® PLASTIC SCREWS - 2 pcs	
6	AL416	7023207	BYSTRONIC® MALE WATER CONNECTOR	
7	AL417	7023208	BYSTRONIC® FEMALE WATER CONNECTOR	
	AL418	7023207 + 7023208	BYSTRONIC® WATER CONNECTOR MALE + FEMALE	

BYSTRONIC®

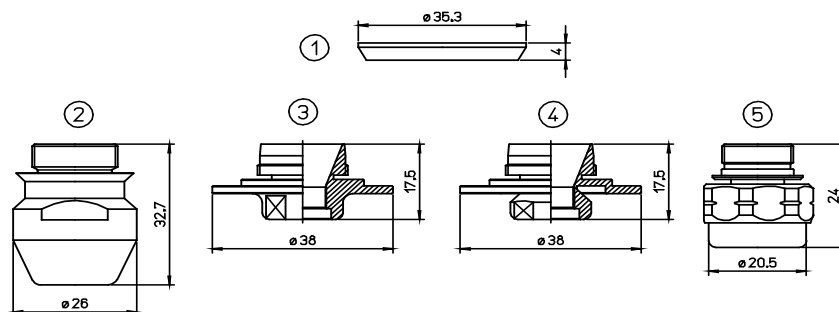
FILTERS

ART. NR.	ORIGINAL KOD	BESKRIVNING	PRIS / ST
7004621	D020	BYSTRONIC® AIR FILTER DELTEC	
7001341	71064753	BYSTRONIC® VACUUM PUMP FILTER	
8820145	8820145	BYSTRONIC® WATER FILTER 60/MC	
8820154	8820154	BYSTRONIC® WATER FILTER 140M/C	
7509417	A37100MFO	BYSTRONIC® GREEN AIR FILTER 37X106	
7509412		BYSTRONIC® AIR FILTER ACTIVE COAL	
7509412 - long	57002	BYSTRONIC® AIR FILTER ACTIVE COAL - LONG mm. 190,00	
502456	502456	BYSTRONIC® VACUUM PUMP FILTER 4000W	

BYSTRONIC®

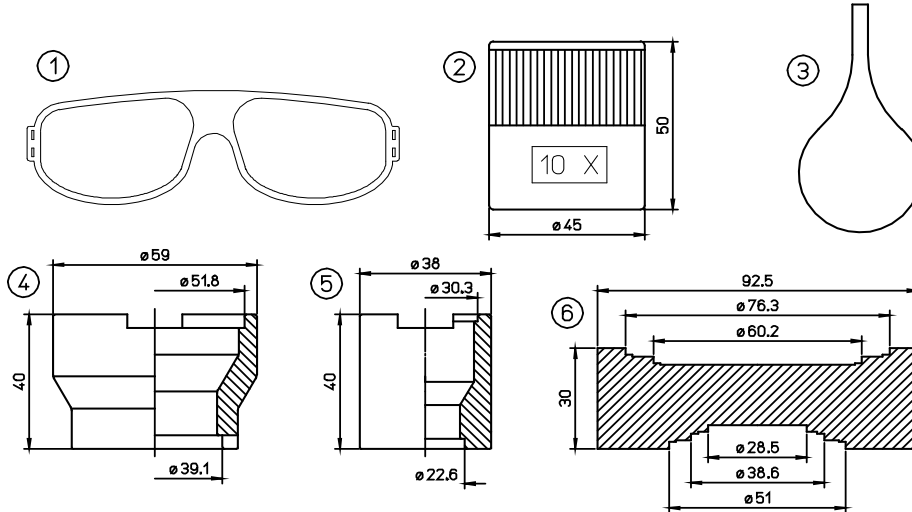


	ART. NR.	ORIGINAL KOD	BESKRIVNING	PRIS / ST
1	L301660	10048529 - HK8	BYSTRONIC® NOZZLE Ø 0.8	
	L301661	10035266 - HK10	BYSTRONIC® NOZZLE Ø 1.0	
	L301662	10035267 - HK12	BYSTRONIC® NOZZLE Ø 1.2	
	L301663	10035268 - HK15	BYSTRONIC® NOZZLE Ø 1.5	
	L301664	10035269 - HK17	BYSTRONIC® NOZZLE Ø 1.7	
	L301665	10035270 - HK20	BYSTRONIC® NOZZLE Ø 2.0	
	L301666	10035271 - HK25	BYSTRONIC® NOZZLE Ø 2.5	
	L301667	10035272 - HK30	BYSTRONIC® NOZZLE Ø 3.0	
L301668	10049744 - HK35	BYSTRONIC® NOZZLE Ø 3.5		
2	L301670	10049747 - NK1015	BYSTRONIC® DOUBLE NOZZLE Ø 1.0	
	L301671	10035275 - NK1215	BYSTRONIC® DOUBLE NOZZLE Ø 1.2	
	L301672	10035278 - NK1515	BYSTRONIC® DOUBLE NOZZLE Ø 1.5	
	L301673	10035290 - NK1715	BYSTRONIC® DOUBLE NOZZLE Ø 1.7	
	L301674	10035292 - NK2015	BYSTRONIC® DOUBLE NOZZLE Ø 2.0	
	L301675	10035294 - NK2515	BYSTRONIC® DOUBLE NOZZLE Ø 2.5	
	L301676	10035296 - NK2520	BYSTRONIC® DOUBLE NOZZLE Ø 2,5	
	L301677	10035298 - NK3017	BYSTRONIC® DOUBLE NOZZLE Ø 3.0	
	L301678	10035301 - NK3020	BYSTRONIC® DOUBLE NOZZLE Ø 3.0	
	L301679	10035302 - NK3530	BYSTRONIC® DOUBLE NOZZLE Ø 3.5	
L1682	10039202	BYSTRONIC® NOZZLE CN Ø 2.0		



	ART. NR.	ORIGINAL KOD	BESKRIVNING	PRIS / ST
1	AL 441	10046025 08-12-04-9016	BYSTRONIC® ISOLATOR CERAMIC RING	
2	AL450	10034061	BYSTRONIC® NOZZLE HOLDER	
3	AL451	10046030	BYSTRONIC® ADAPTER	
4	AL452	10051133	BYSTRONIC® ADAPTER mSB	
5	AL449	10064099	BYSTRONIC® NOZZLE BODY	

BYSTRONIC®



POS	ART. NR.	ORIGINAL KOD	BESKRIVNING	PRIS / ST
1	AL1100		LASER CO2 GLASSES CE APPROVED DIL3	
2	AL255	091860	SCALE LUPE	
3	AL282		ACC. INJECTOR	
4	AL271	TR300-271	BASE FOR LENS MAINTENANCE	
5	AL276		ACC. BASE FOR MIRROR MAINTENANCE	
6	AL370		ACC.BASE FOR LENS AND MIRROR CLEANING	
	SC100	AM313-SC100	LENS CLEANING PAPER - 50 sheets	
	AL1001	123602	LENS CLEANING LIQUID - 200 ml	
	AL1002		MIRROR CLEANING LIQUID - 200 ml	
	AL1003-100	240568-100	ACC. LENS CLEANING POLISH - ml 100	
	AL1004		POLISH DETERGENT - 200 ml	
	EZ020003-101		LENS CLEANING WIPES EZ CLEAN - 24 pieces	
	TOPOL2	367432	LENS POLISH - 125 ml	
	TR300-7388	787388	MIRROR POLISH - 250 ml	
	AL1010	TR300-1010	DROPPER FOR LENS CLEANING LIQUID	
	SC20	TR300-SC20	COTTON SWAB (tops) - 20 pieces	
	AL1115	TR300-1115	LENS CLEANING PRE-CUT COTTON - 100 pieces	
	AL1120	HG 15.136	LATEX GLOVES - 10 pieces	
	LUFTSPRAY		BLÅS RENT	
	910000		RENGÖRINGSVÄSKA TILL LINSER	
	ALI115/M	MZ335-115	INDIUM WIRE 0.8 mm x 125 mm FOR 1.5" LENS	
	ALI120/M	MZ335-120	INDIUM WIRE 0.8 mm x 160 mm FOR 2,0" LENS	
	351260-009	EZ-POLARIZER	VERKTYG FÖR KONTROLL AV LINSER 1,5"	
	351280-009	EZ-POLARIZER	VERKTYG FÖR KONTROLL AV LINSER 2"	