

## PRIMA®



### Duralens - Högkvalitativ Lins

- Absorberar  $\leq 0,20\%$
- Konstruerad för hög hållbarhet och noggrannhet
- Tillverkad med högsta precision
- Godkänd och använd av ledande maskintillverkare



### Black Magic – Lågabsorberande Lins

- Absorberar  $\leq 0,15\%$
- Hårdaste ytan på marknaden för ökad livslängd
  - Bäst på att stöta bort stänk
  - Enklare att rengöra och underhålla
  - Motståndskraftig mot fukt
- Rekommenderad och godkänd av ledande maskintillverkare
- Den är EJ radioaktiv
- Utmärker sig vid skärning i bl.a. aluminium och rostfritt stål



### Clear Magic – Ultra Lågabsorberande Lins

- Absorberar  $\leq 0,13\%$  under hela livslängden
  - Maximal stabilitet i fokusläget
- Transparent ytskikt släpper igenom HeNe-strålar så de blir synliga på arbetsstycket
- Polariserande filter hjälper till att upptäcka termiskt inducerad stress
- Rekommenderad och godkänd av ledande maskintillverkare
- Hårdaste ytan på marknaden för ökad livslängd
  - Bäst på att stöta bort stänk
  - Enklare att rengöra och underhålla
  - Motståndskraftig mot fukt
- Den är EJ radioaktiv
- Utmärker sig vid skärning i bl.a. aluminium och rostfritt stål

## LINSER

1



2



3



POS	ART. NR.	TYP	BESKRIVNING	PRIS / ST
<b>GUL LINS</b>				
1	60614		DIA = 1,5" FOKUS = 3,75" TJOCKLEK = 9 mm	
	62709	360033 (utan linshus)	DIA = 1,5" FOKUS = 5" TJOCKLEK = 9 mm	
	680161-001	360033 (med linshus)	DIA = 1,5" FOKUS = 5" TJOCKLEK = 9 mm	
	62710	360039 (utan linshus)	DIA = 1,5" FOKUS = 7,5" TJOCKLEK = 9 mm	
	680161-002	360039 (med linshus)	DIA = 1,5" FOKUS = 7,5" TJOCKLEK = 9 mm	
	61973		DIA = 1,5" FOKUS = 10" TJOCKLEK = 9 mm	
	61595		DIA = 1,5" FOKUS = 7,5" TJOCKLEK = 10 mm	
<b>LÅGABSORBERANDE SVART LINS</b>				
2	60614LA		DIA = 1,5" FOKUS = 3,75" TJOCKLEK = 9 mm	
	62709LA	360033	DIA = 1,5" FOKUS = 5" TJOCKLEK = 9 mm	
	62710LA	360039	DIA = 1,5" FOKUS = 7,5" TJOCKLEK = 9 mm	
	61595LA		DIA = 1,5" FOKUS = 7,5" TJOCKLEK = 10 mm	
<b>ULTRA LÅGABSORBERANDE LINS</b>				
3	631079-117ULA	360033	DIA = 1,5" FOKUS = 5" TJOCKLEK = 9 mm	
	62709ULA		DIA = 1,5" FOKUS = 5" TJOCKLEK = 9 mm	
	62710ULA	360039	DIA = 1,5" FOKUS = 7,5" TJOCKLEK = 9 mm	

RING FÖR MER INFO OCH PRISER OM VÅRA LINSER OCH SPEGLAR.

## FIBERLASER



POS	ART. NR.	ORIGINAL KOD	BESKRIVNING	PRIS / ST
<b>LINS</b>				
	632284-117		DIA = 38,1mm FOKUS = 190,5mm TJOCKLEK = 7mm	
	631699-117		DIA = 38,1mm FOKUS = 127mm TJOCKLEK = 7mm	
<b>SKYDDSGLAS</b>				
	632445-117		DIA = 25,4mm TJOCKLEK = 3mm	
	632240-117		DIA = 30mm TJOCKLEK = 1,5mm	

**RING FÖR MER INFO OCH PRISER OM VÅRA LINSER OCH SKYDDSGLAS.**

## PRIMA®



POS	ART. NR.	ORIGINAL KOD	BESKRIVNING	PRIS / ST
1	L70	490.76.102	PRIMA® NOZZLE Ø 0.3 COPPER CYLINDRICAL	
	L74		PRIMA® NOZZLE Ø 1.0 BRASS CYLINDRICAL	
	L418		PRIMA® NOZZLE Ø 1.0 COPPER CYLINDRICAL	
	L416		PRIMA® NOZZLE Ø 1.2 COPPER CYLINDRICAL	
	L54	485.73.321	PRIMA® NOZZLE Ø 1.5 BRASS CYLINDRICAL	
	L419		PRIMA® NOZZLE Ø 1.5 COPPER CYLINDRICAL	
	L417		PRIMA® NOZZLE Ø 1.7 COPPER CYLINDRICAL	
	L55	485.73.322	PRIMA® NOZZLE Ø 2.0 BRASS CYLINDRICAL	
	L420		PRIMA® NOZZLE Ø 2.0 COPPER CYLINDRICAL	
	L204	485.73.323	PRIMA® NOZZLE Ø 2.5 BRASS CYLINDRICAL	
	L421		PRIMA® NOZZLE Ø 2.5 COPPER CYLINDRICAL	
	L205	485.73.324	PRIMA® NOZZLE Ø 3.0 BRASS CYLINDRICAL	
	L422		PRIMA® NOZZLE Ø 3.0 COPPER CYLINDRICAL	
	L418X		PRIMA® NOZZLE Ø 1.0 CP	
	L416X		PRIMA® NOZZLE Ø 1.2 CP	
	L419X	485.73.421	PRIMA® NOZZLE Ø 1.5 CP	
	L417X		PRIMA® NOZZLE Ø 1.7 CP	
L420X	485.73.422	PRIMA® NOZZLE Ø 2.0 CP		
L421X	485.73.423	PRIMA® NOZZLE Ø 2.5 CP		
L422X	485.73.424	PRIMA® NOZZLE Ø 3.0 CP		
2	L1245	490.1N.301	PRIMA I.® NOZZLE Ø 2.0 BRASS SHORT	
	L1246	490.1N.302	PRIMA® NOZZLE Ø 2.5 CP BRASS SHORT	

## PRIMA®



POS	ART. NR.	ORIGINAL KOD	BESKRIVNING	PRIS / ST
1	L631		PRIMA® NOZZLE Ø 0.3	
	L632		PRIMA® NOZZLE Ø 1.0	
	L637		PRIMA® NOZZLE Ø 1.2	
	L633		PRIMA® NOZZLE Ø 1.5	
	L638		PRIMA® NOZZLE Ø 1.7	
	L634		PRIMA® NOZZLE Ø 2.0	
	L635		PRIMA® NOZZLE Ø 2.5	
	L636		PRIMA® NOZZLE Ø 3.0	
2	L1235		PRIMA I.® NOZZLE Ø 1.5 CON-CYL	
	L1236		PRIMA I.® NOZZLE Ø 2.0 CON-CYL	
	L1237		PRIMA I.® NOZZLE Ø 2.5 CON-CYL	
	L1231X	485.73.455	PRIMA® NOZZLE Ø 0.3 CP CON-CYL	
	L1235X	485.73.451	PRIMA® NOZZLE Ø 1.5 CP CON-CYL	
	L1236X	485.73.452	PRIMA® NOZZLE Ø 2.0 CP CON-CYL	
	L1237X	485.73.453	PRIMA® NOZZLE Ø 2.5 CP CON-CYL	

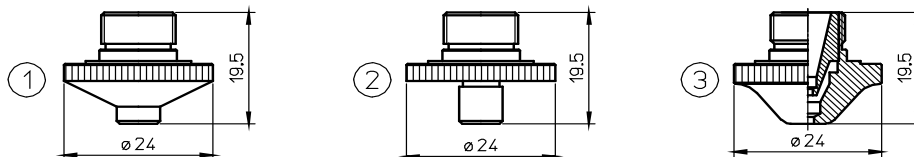
## PRIMA®



POS	ART. NR.	ORIGINAL KOD	BESKRIVNING	PRIS / ST
1	L62	490.76.103	PRIMA® NOZZLE Ø 0.3 CONICAL COPPER	
	L450		PRIMA® NOZZLE Ø 1.0 CONICAL COPPER	
	L451		PRIMA® NOZZLE Ø 1.2 CONICAL COPPER	
	L206	485.73.331	PRIMA® NOZZLE Ø 1.5 CONICAL BRASS	
	L424		PRIMA® NOZZLE Ø 1.5 CONICAL COPPER	
	L426		PRIMA® NOZZLE Ø 1.7 CONICAL COPPER	
	L57	485.73.333	PRIMA® NOZZLE Ø 2.0 CONICAL BRASS	
	L425		PRIMA® NOZZLE Ø 2.0 CONICAL COPPER	
	L449	485.73.333	PRIMA® NOZZLE Ø 2.5 CONICAL BRASS	
	L427		PRIMA® NOZZLE Ø 2.5 CONICAL COPPER	
	L630	485.73.43x	PRIMA® NOZZLE Ø 3.0 CONICAL COPPER	
	L450X		PRIMA® NOZZLE Ø 1.0 CP	
	L451X		PRIMA® NOZZLE Ø 1.2 CP	
	L424X	485.73.431	PRIMA® NOZZLE Ø 1.5 CP	
	L426X		PRIMA® NOZZLE Ø 1.7 CP	
	L425X	485.73.433	PRIMA® NOZZLE Ø 2.0 CP	
	L427X		PRIMA® NOZZLE Ø 2.5 CP	
	L630X	485.73.43x	PRIMA® NOZZLE Ø 3.0 CONICAL COPPER	
2	AL136		PRIMA® INSULATING RING-PLASTIC - HEAD 5"	
	AL163		PRIMA® INSULATING RING-PLASTIC - HEAD 7.5"	

**X = Kromaterat**

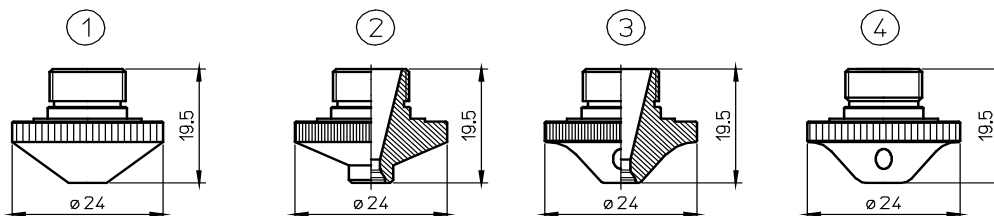
## PRIMA®



POS	ART. NR.	ORIGINAL KOD	BESKRIVNING	PRIS / ST
1	L532		PRIMA® NOZZLE Ø 0.8	
	L312		PRIMA® NOZZLE Ø 1.0	
	L362		PRIMA® NOZZLE Ø 1.2	
	L207	LW6.1E.111	PRIMA® NOZZLE Ø 1.5	
	L208	LW6.1E.112	PRIMA® NOZZLE Ø 2.0	
	L209	LW6.1E.113	PRIMA® NOZZLE Ø 2.5	
	L210	LW6.1E.114	PRIMA® NOZZLE Ø 3.0	
	L312X		PRIMA® NOZZLE Ø 1.0 CP	
	L207X	LW6.1E.111	PRIMA® NOZZLE Ø 1.5 CP	
	L208X	LW6.1E.112	PRIMA® NOZZLE Ø 2.0 CP	
	L209X	LW6.1E.113	PRIMA® NOZZLE Ø 2.5 CP	
	L210X	LW6.1E.114	PRIMA® NOZZLE Ø 3.0 CP	
2	L608	LW6.1G.500-LW6.1G.600	PRIMA® NOZZLE Ø 1.5	
	L609	LW6.1G.501-LW6.1G.601	PRIMA® NOZZLE Ø 2.0	
	L610	LW6.1G.502-LW6.1G.602	PRIMA® NOZZLE Ø 2.5	
	L611	LW6.1G.503-LW6.1G.603	PRIMA® NOZZLE Ø 3.0	
	L609X	LW6.1G.501-LW6.1G.601	PRIMA® NOZZLE Ø 2.0 CP	
	L610X	LW6.1G.502-LW6.1G.602	PRIMA® NOZZLE Ø 2.5 CP	
	L611X	LW6.1G.503-LW6.1G.603	PRIMA® NOZZLE Ø 3.0 CP	
	3	L905X	1059.70000.010	PRIMA® DOUBLE NOZZLE Ø 0.8 CP
L900X		1059.70000.003	PRIMA® DOUBLE NOZZLE Ø 1.0 CP	
L907X		1059.70000.008	PRIMA® DOUBLE NOZZLE Ø 1.25 CP	
L901X		1059.70000.004	PRIMA® DOUBLE NOZZLE Ø 1.5 CP	
L906X		1059.70000.009	PRIMA® DOUBLE NOZZLE Ø 1.75 CP	
L902X		1059.70000.005	PRIMA® DOUBLE NOZZLE Ø 2.0 CP	
L903X		1059.70000.006	PRIMA® DOUBLE NOZZLE Ø 2.5 CP	
L904X		1059.70000.007	PRIMA® DOUBLE NOZZLE Ø 3.0 CP	

X = Kromaterat

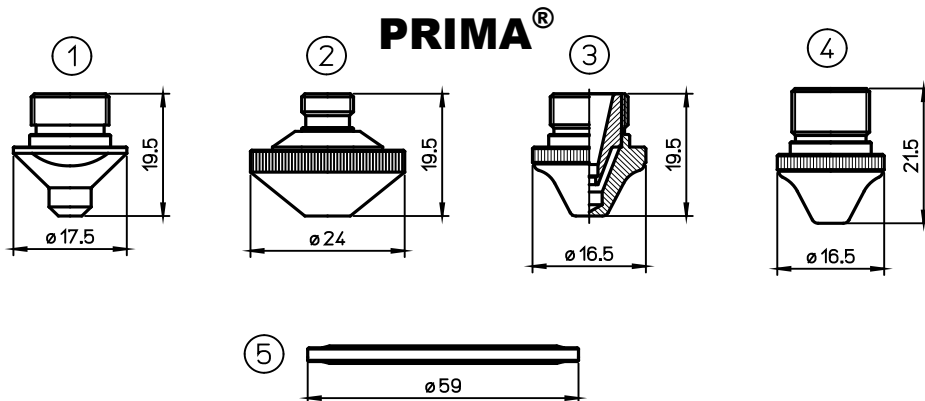
## PRIMA®



POS	ART. NR.	ORIGINAL KOD	BESKRIVNING	PRIS / ST
1	L862	CENTRICUT DESIGN	PRIMA® NOZZLE Ø 1.0	
	L863	CENTRICUT DESIGN	PRIMA® NOZZLE Ø 1.5	
	L864	CENTRICUT DESIGN	PRIMA® NOZZLE Ø 2.0	
	L865	CENTRICUT DESIGN	PRIMA® NOZZLE Ø 2.5	
	L866	CENTRICUT DESIGN	PRIMA® NOZZLE Ø 3.0	
2	L1165X	LW6.1G.650	PRIMA I® NOZZLE Ø 3.0 CP	
3	L1208X	LW6. 1G. 608	PRIMA® NOZZLE Ø 3.0 DL TYPE CP	
	L1209X	LW6. 1G. 609	PRIMA® NOZZLE Ø 3.5 DL TYPE CP	
4	L1167X	LW6. 1G. 604	PRIMA® NOZZLE Ø 1.5 CP	
	L1166X		PRIMA® NOZZLE Ø 1.75 CP	
	L1168X	LW6. 1G. 605	PRIMA® NOZZLE Ø 2.0 CP	
	L1169X	LW6. 1G. 606	PRIMA® NOZZLE Ø 2.5 CP	
	L1170X	LW6. 1G. 607	PRIMA® NOZZLE Ø 3.0 CP	

**X = Kromaterat**

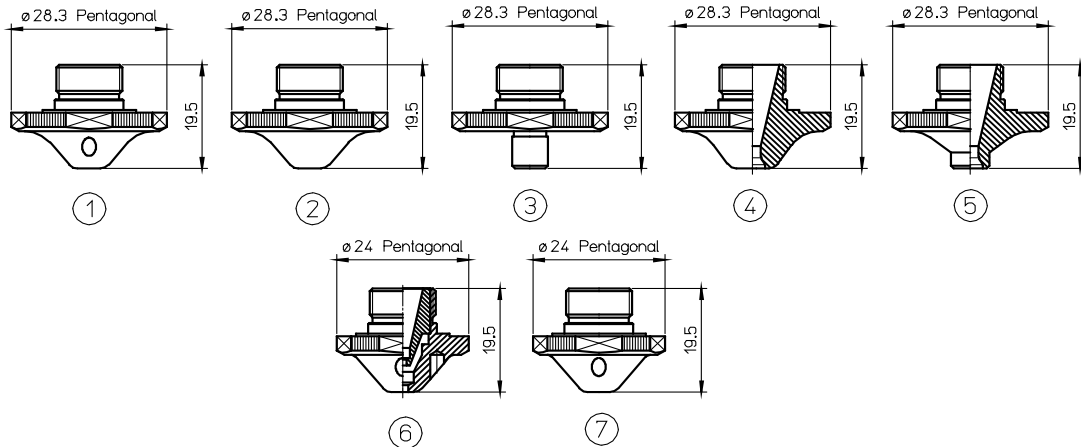




POS	ART. NR.	ORIGINAL KOD	BESKRIVNING	PRIS / ST
1	L922		PRIMA® NOZZLE Ø 0.3	
	L891		PRIMA® NOZZLE Ø 1.0	
	L892	750.42.550	PRIMA® NOZZLE Ø 1.5	
	L893	750.42.551	PRIMA® NOZZLE Ø 2.0	
	L894	750.42.552	PRIMA® NOZZLE Ø 2.5	
	L895	750.42.553	PRIMA® NOZZLE Ø 3.0	
	L891X		PRIMA® NOZZLE Ø 1.0 CP	
	L892X	750.42.550	PRIMA® NOZZLE Ø 1.5 CP	
	L893X	750.42.551	PRIMA® NOZZLE Ø 2.0 CP	
	L894X	750.42.552	PRIMA® NOZZLE Ø 2.5 CP	
	L895X	750.42.553	PRIMA® NOZZLE Ø 3.0 CP	
2	L875		PRIMA® L.W. NOZZLE Ø 1.0	
	L876		PRIMA® L.W. NOZZLE Ø 1.5	
	L877	LW3.1E.102	PRIMA® L.W. NOZZLE Ø 2.0	
	L878	LW3.1E.103	PRIMA® L.W. NOZZLE Ø 2.5	
	L879	LW3.1E.104	PRIMA® L.W. NOZZLE Ø 3.0	
3	L1239X	520.17.111	PRIMA® DOUBLE NOZZLE Ø 1.5 CP	
	L1240X	520.17.114	PRIMA® DOUBLE NOZZLE Ø 2.0 CP	
	L1241X	750.43.560	PRIMA® DOUBLE NOZZLE Ø 2.5 CP	
	L1242X	750.43.561	PRIMA® DOUBLE NOZZLE Ø 3.0 CP	
	L1243X	750.43.562	PRIMA® DOUBLE NOZZLE Ø 3.5 CP	
4	L1211X	787.04.515	PRIMA® NOZZLE Ø 1.25 CP	
	L1212X	787.04.512	PRIMA® NOZZLE Ø 1.5 CP	
	L1217X	787.04.516	PRIMA® NOZZLE Ø 1.75 CP	
	L1213X	787.04.513	PRIMA® NOZZLE Ø 2.0 CP	
	L1214X	787.04.514	PRIMA® NOZZLE Ø 2.5 CP	
5	AL259	1058.36520.720	PRIMA® GASKET FOR LENS	

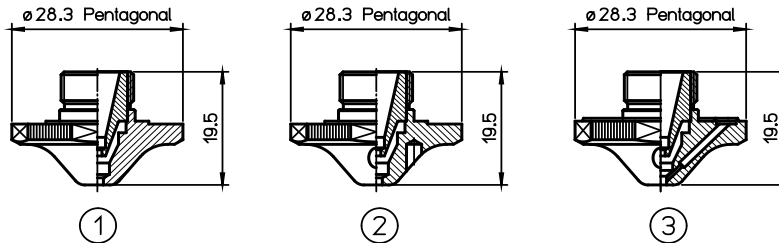
X = Kromaterat

## PRIMA®



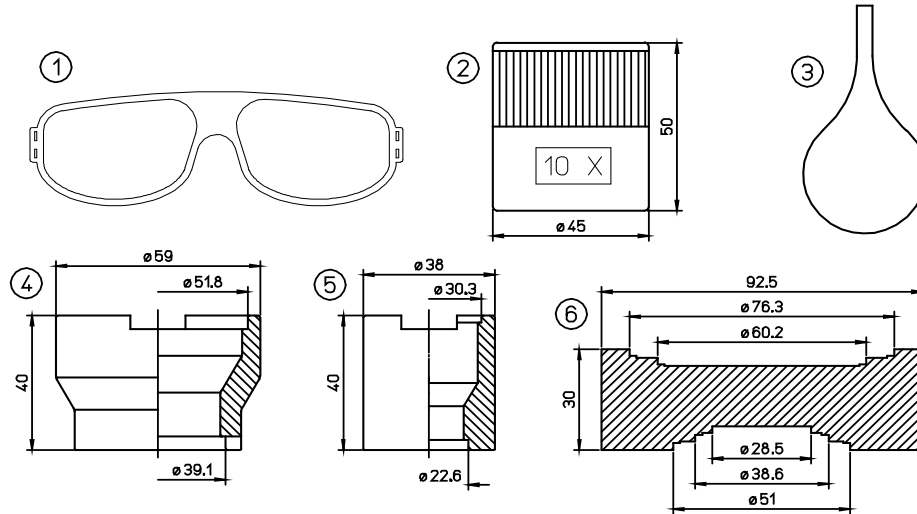
POS	ART. NR.	ORIGINAL KOD	BESKRIVNING	PRIS / ST
1	L1428X	LW6.1G.660	PRIMA I.® NOZZLE PENT Ø 0.8 CP	
	L1429X	LW6.1G.661	PRIMA I.® NOZZLE PENT Ø 1.0 CP	
	L1430X	LW6.1G.662	PRIMA I.® NOZZLE PENT Ø 1.25 CP	
	L1431X	LW6.1G.663	PRIMA I.® NOZZLE PENT Ø 1.5 CP	
	L1432X	LW6.1G.664	PRIMA I.® NOZZLE PENT Ø 1.75 CP	
	L1433X	LW6.1G.665	PRIMA I.® NOZZLE PENT Ø 2.0 CP	
	L1434X	LW6.1G.666	PRIMA I.® NOZZLE PENT Ø 2.25 CP	
	L1435X	LW6.1G.667	PRIMA I.® NOZZLE PENT Ø 2.5 CP	
	L1436X	LW6.1G.668	PRIMA I.® NOZZLE PENT Ø 2.75 CP	
	L1437X	LW6.1G.669	PRIMA I.® NOZZLE PENT Ø 3.0 CP	
	L1438X	LW6.1G.670	PRIMA I.® NOZZLE PENT Ø 3.5 CP	
2	L1807X	LW6.1G.103	PRIMA I.® NOZZLE PENT Ø 1.5 CP	
	L1808X	LW6.1G.105	PRIMA I.® NOZZLE PENT Ø 2.0 CP	
	L1809X	LW6.1G.107	PRIMA I.® NOZZLE PENT Ø 2.5 CP	
	L1810X	LW6.1G.109	PRIMA I.® NOZZLE PENT Ø 3.0 CP	
3	L1477X	LW6.1G.699	PRIMA I.® NOZZLE PENT Ø 1.5 CYL	
	L1478X	LW6.1G.700	PRIMA I.® NOZZLE PENT Ø 2.0 CYL	
	L1479X	LW6.1G.701	PRIMA I.® NOZZLE PENT Ø 2.5 CYL	
	L1480X	LW6.1G.702	PRIMA I.® NOZZLE PENT Ø 3.0 CYL	
4	L1837X	LW6.1G.522a	PRIMA I.® NOZZLE PENT Ø 3-4.5 DL CP	
5	L1838X	LW6.1G.524	PRIMA I.® NOZZLE PENT Ø 3 DL CP	
6	L1540X	LW6.1G.643	PRIMA I.® DOUBLE NOZZLE PENT Ø 1.5 CP	
	L1541X	LW6.1G.645	PRIMA I.® DOUBLE NOZZLE PENT Ø 2.0 CP	
	L1542X	LW6.1G.647	PRIMA I.® DOUBLE NOZZLE PENT Ø 2.5 CP	
7	L1533X	LW6.1G.633	PRIMA I.® NOZZLE PENT Ø 1.5 CP	
	L1534X	LW6.1G.635	PRIMA I.® NOZZLE PENT Ø 2.0 CP	
	L1535X	LW6.1G.637	PRIMA I.® NOZZLE PENT Ø 2.5 CP	

## PRIMA®



POS	ART. NR.	ORIGINAL KOD	BESKRIVNING	PRIS / ST
1	L1783X	LW6.1G.302	PRIMA I.® DOUBLE NOZZLE PENT Ø 1.25 CP	
	L1784X	LW6.1G.303	PRIMA I.® DOUBLE NOZZLE PENT Ø 1.5 CP	
	L1785X	LW6.1G.304	PRIMA I.® DOUBLE NOZZLE PENT Ø 1.75 CP	
	L1786X	LW6.1G.305	PRIMA I.® DOUBLE NOZZLE PENT Ø 2.0 CP	
	L1787X	LW6.1G.307	PRIMA I.® DOUBLE NOZZLE PENT Ø 2.5 CP	
	L1788X	LW6.1E.204	PRIMA I.® DOUBLE NOZZLE PENT 25-20 CP	
	L1789X	LW6.1G.309	PRIMA I.® DOUBLE NOZZLE PENT Ø 3.0 CP	
	L1790X	LW6.1E.206	PRIMA I.® DOUBLE NOZZLE PENT 30-20 CP	
	L1791X	LW6.1E.207	PRIMA I.® DOUBLE NOZZLE PENT 35-30 CP	
	L1462	LW6.1G.200	PRIMA I.® DOUBLE NOZZLE PENT Ø 3.0	
	L1463	LW6.1G.201	PRIMA I.® DOUBLE NOZZLE PENT Ø 3.5	
	L1464	LW6.1G.202	PRIMA I.® DOUBLE NOZZLE PENT Ø 4.0	
	L1472	LW6.1G.203	PRIMA I.® DOUBLE NOZZLE PENT Ø 5.0	
	L1473	LW6.1G.204	PRIMA I.® DOUBLE NOZZLE PENT Ø 7.0	
2	L1440X	LW6.1G.680	PRIMA I.® DOUBLE NOZZLE PENT Ø 0.8 CP	
	L1441X	LW6.1G.681	PRIMA I.® DOUBLE NOZZLE PENT Ø 1.0 CP	
	L1442X	LW6.1G.682	PRIMA I.® DOUBLE NOZZLE PENT Ø 1.25 CP	
	L1443X	LW6.1G.683	PRIMA I.® DOUBLE NOZZLE PENT Ø 1.5 CP	
	L1444X	LW6.1G.684	PRIMA I.® DOUBLE NOZZLE PENT Ø 1.75 CP	
	L1445X	LW6.1G.685	PRIMA I.® DOUBLE NOZZLE PENT Ø 2.0 CP	
	L1446X	LW6.1G.686	PRIMA I.® DOUBLE NOZZLE PENT Ø 2.25 CP	
	L1447X	LW6.1G.687	PRIMA I.® DOUBLE NOZZLE PENT Ø 2.5 CP	
	L1448X	LW6.1G.688	PRIMA I.® DOUBLE NOZZLE PENT Ø 2.75 CP	
	L1449X	LW6.1G.689	PRIMA I.® DOUBLE NOZZLE PENT Ø 3.0 CP	
	L1465	LW6.1G.800	PRIMA I.® DOUBLE NOZZLE BRILLIANT Ø 3.0	
	L1466	LW6.1G.801	PRIMA I.® DOUBLE NOZZLE BRILLIANT Ø 3.5	
	L1467	LW6.1G.802	PRIMA I.® DOUBLE NOZZLE BRILLIANT Ø 4.0	
	L1468	LW6.1G.803	PRIMA I.® DOUBLE NOZZLE BRILLIANT Ø 5.0	
L1469	LW6.1G.804	PRIMA I.® DOUBLE NOZZLE BRILLIANT Ø 7.0		
3	L1453X	LW6.1G.627	PRIMA I.® TRIPLE NOZZLE PENT Ø 1.25 CP	
	L1454X	LW6.1G.620	PRIMA I.® TRIPLE NOZZLE PENT Ø 1.5 CP	
	L1455X	LW6.1G.621	PRIMA I.® TRIPLE NOZZLE PENT Ø 1.75 CP	
	L1456X	LW6.1G.622	PRIMA I.® TRIPLE NOZZLE PENT Ø 2.0 CP	
	L1457X	LW6.1G.623	PRIMA I.® TRIPLE NOZZLE PENT Ø 2.25 CP	
	L1458X	LW6.1G.624	PRIMA I.® TRIPLE NOZZLE PENT Ø 2.5 CP	
	L1459X	LW6.1G.625	PRIMA I.® TRIPLE NOZZLE PENT Ø 2.75 CP	
	L1460X	LW6.1G.626	PRIMA I.® TRIPLE NOZZLE PENT Ø 3.0 CP	

## PRIMA®



POS	ART. NR.	ORIGINAL KOD	BESKRIVNING	PRIS / ST
1	AL1100		LASER CO2 GLASSES CE APPROVED DIL3	
2	AL255	091860	SCALE LUPE	
3	AL282		ACC. INJECTOR	
4	AL271	TR300-271	BASE FOR LENS MAINTENANCE	
5	AL276		ACC. BASE FOR MIRROR MAINTENENCE	
6	AL370		ACC.BASE FOR LENS AND MIRROR CLEANING	
	<b>SC100</b>	<b>AM313-SC100</b>	<b>LENS CLEANING PAPER - 50 sheets</b>	
	<b>AL1001</b>	<b>123602</b>	<b>LENS CLEANING LIQUID - 200 ml</b>	
	AL1002		MIRROR CLEANING LIQUID - 200 ml	
	AL1003-100	240568-100	ACC. LENS CLEANING POLISH - ml 100	
	AL1004		POLISH DETERGENT - 200 ml	
	EZ020003-101		LENS CLEANING WIPES EZ CLEAN - 24 pieces	
	TOPOL2	367432	LENS POLISH - 125 ml	
	TR300-7388	787388	MIRROR POLISH - 250 ml	
	AL1010	TR300-1010	DROPPER FOR LENS CLEANING LIQUID	
	SC20	TR300-SC20	COTTON SWAB (tops) - 20 pieces	
	AL1115	TR300-1115	LENS CLEANING PRE-CUT COTTON - 100 pieces	
	AL1120	HG 15.136	LATEX GLOVES - 10 pieces	
	LUFTSPRAY		BLÅS RENT	
	910000		RENGÖRINGSVÅSKA TILL LINSER	
	ALI115/M	MZ335-115	INDIUM WIRE 0.8 mm x 125 mm FOR 1.5" LENS	
	ALI120/M	MZ335-120	INDIUM WIRE 0.8 mm x 160 mm FOR 2,0" LENS	
	351260-009	EZ-POLARIZER	VERKTYG FÖR KONTROLL AV LINSER 1,5"	
	351280-009	EZ-POLARIZER	VERKTYG FÖR KONTROLL AV LINSER 2"	